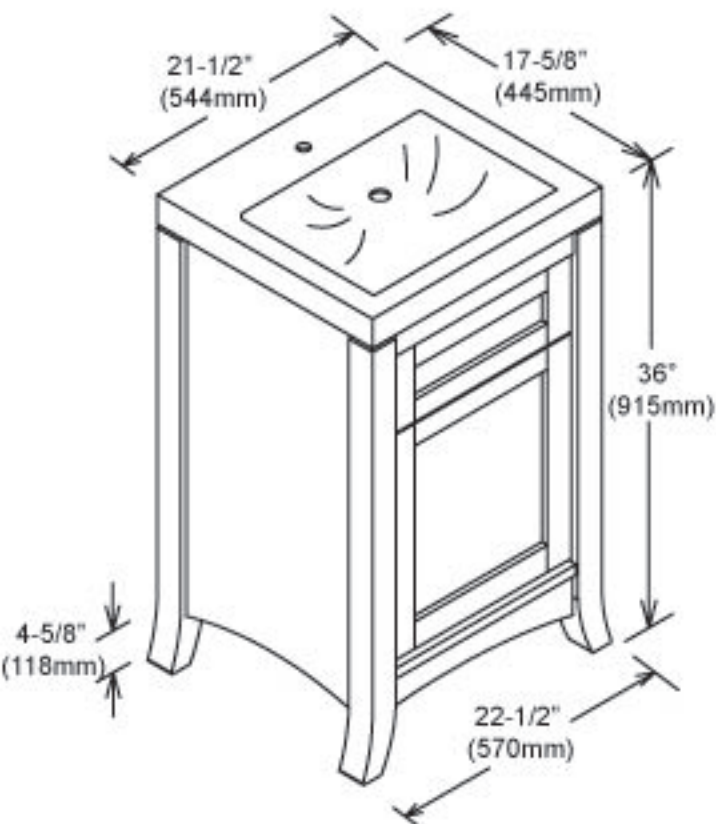
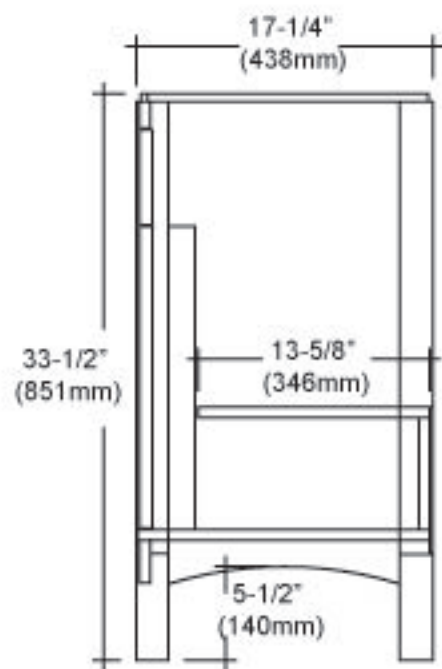


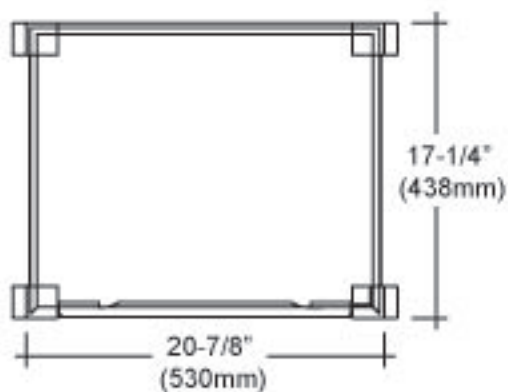
1. 3D line drawing



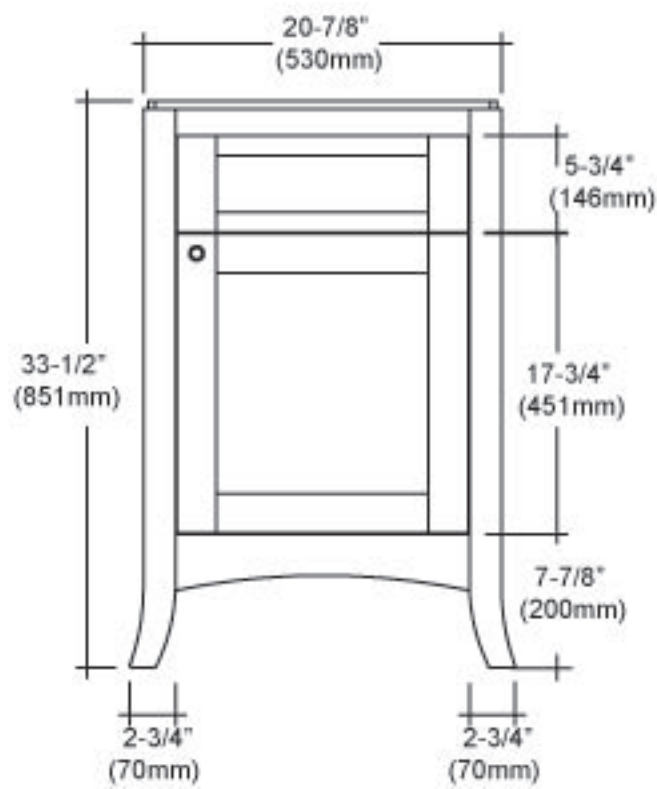
3. Side view line drawing



2. Top view line drawing



4. Front view line drawing



S-11021W1

